

Service pole (to be furnished by customer) 1 must be:

A treated pole or treated timber with a minimum length of 20' and a minimum top diameter (or width) of 6". It must be peeled, sound, and in good condition. It must be back-filled and tamped so that it is securely fixed in a vertical position. Treated 6" x 6" beams work well.

Approved entrance cable weatherhead with minimum 18" of conductor outside. Weatherhead must be securely fastened. The Company will make the connections.

Cable clamps fastened to pole not more than 30" apart NEC 230.51(A). First clamp on each end to be within 12" of meter base and weatherhead.

Approved service entrance cable or conduit system, Same size and type from weatherhead to main disconnect.

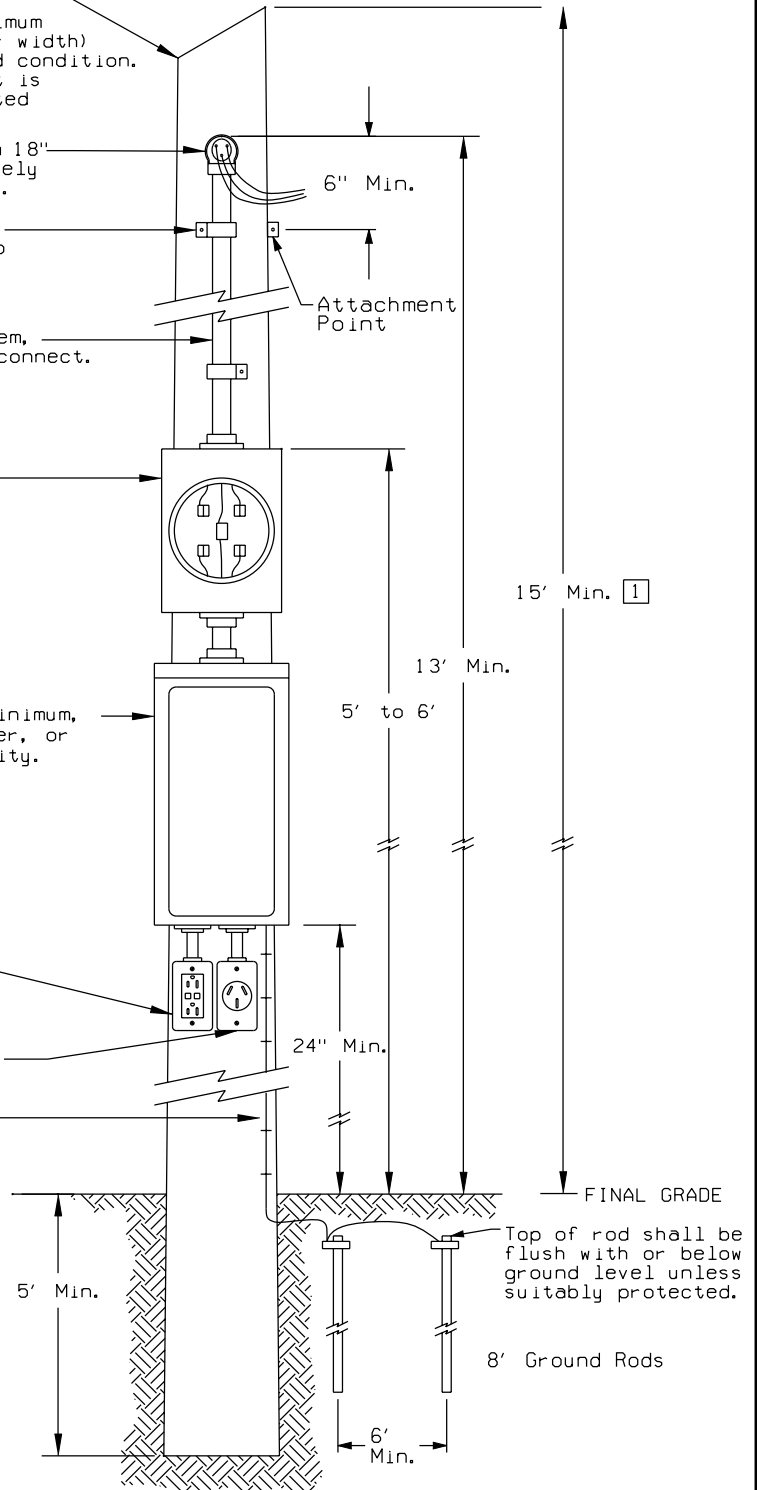
Meter base furnished by customer. Minimum of 100 Amp., ringless, bypass horns, be sealable, and UL listed.

Weatherproof main disconnect rated at 30 Amps minimum, 120/240 volts, 3-wire. Must be a circuit breaker, or switch & fuses sized for supply conductor ampacity.

Weatherproof, 120 volt, 3 prong, grounded GFI receptacle

Weatherproof 240 volt receptacle (if required)

Grounding - Per NEC



1 NOTES:

1. Customer must furnish and mount all service entrance equipment and set pole in the ground. Pole or post location and height to be determined by the Company and coordinated with customer prior to installation. There are numerous overhead clearance requirements. The maximum length for temporary overhead service is 125 feet.
2. Temporaries are intended for short-term use.
3. This pole must be backguyed and anchored by the customer if greater than 10 ft. from the Company pole. An alternative is the use of two 2" x 4" push braces staked into the ground.