

Service pole (to be furnished by customer) must 13 be located within 30 feet of mobile home and:

1. a 20' Min. treated pole with minimum of 6" diameter top
- OR
2. a 20' Min. treated timber with minimum dimensions of 6" x 6"

Approved service entrance cable weatherhead with minimum 18" of conductor outside. Weatherhead must be securely fastened. The Company will make the connections.

Cable clamps fastened to pole not more than 30" apart. First clamp on each end shall be within 12" of meter base and weatherhead [NEC 230.51(A)].

Customer to install guy and anchor.

Approved service entrance cable with specified ampacity. Same size and type from weatherhead to main disconnect.

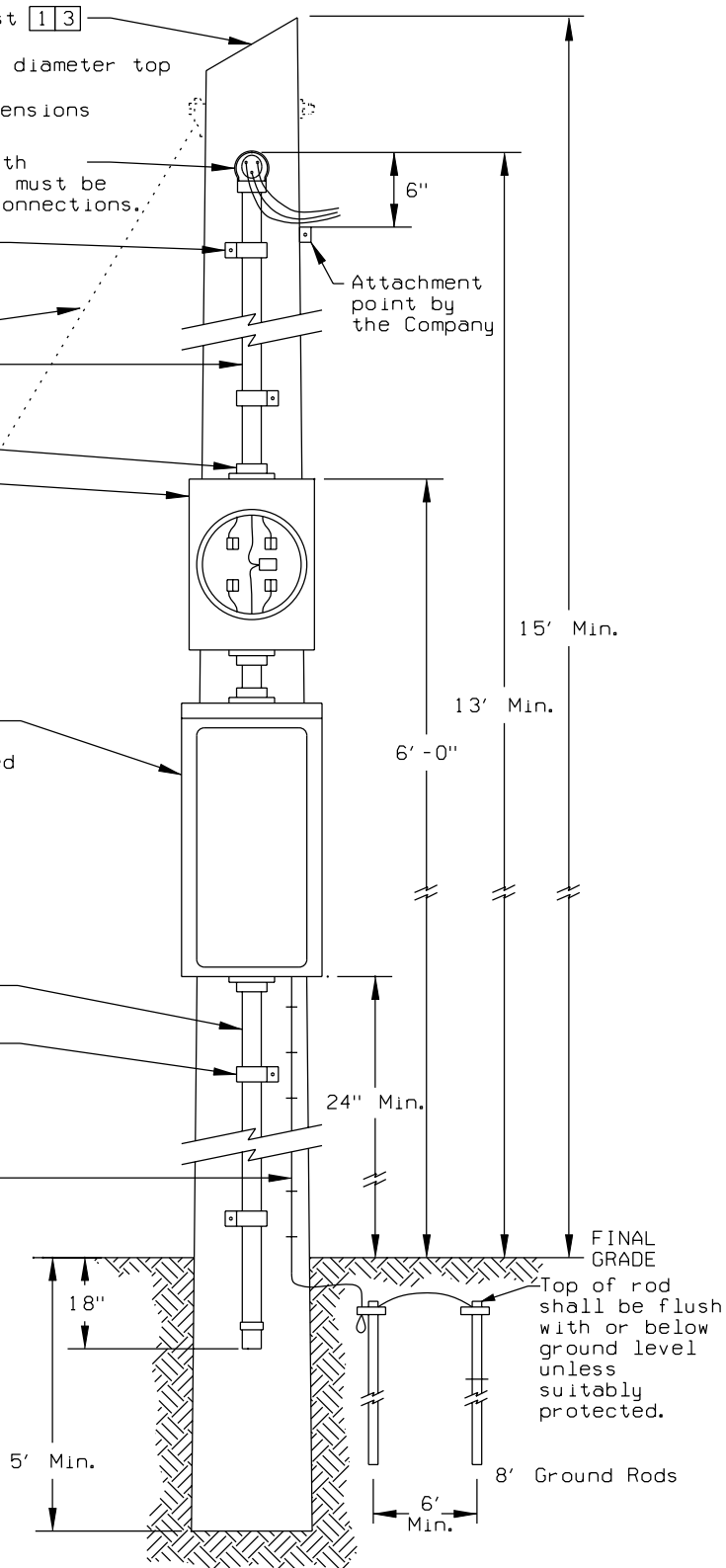
Weatherproof connector

Meter base furnished by customer 2

Weatherproof main disconnect, 120/240 volt 3-wire, 100 amp minimum with branch circuit capacity. The main disconnect must be equipped with circuit breakers, or a switch with fuses, sized for the supply conductor's ampacity.

Conduit clamps fastened to pole not more than 30" apart. First clamp on each end shall be within 12" of main disconnect and final grade.

Grounding - Per NEC:



NOTES:

1. Customer must furnish and mount all service entrance equipment and set pole in the ground. Pole or post location, height, and burial depth to be determined by the Company and coordinated with customer prior to installation.
2. Face meter toward driveway or street for meter reading reasons.
3. Meter pole must be within sight of and not more than 30' from the exterior wall of the mobile home (NEC 550.32).
4. The Company must designate the service location. There are numerous clearance issues. See page 7-1 for overhead clearances. Note that service drops over the home are often a problem.

Revised: 03/10