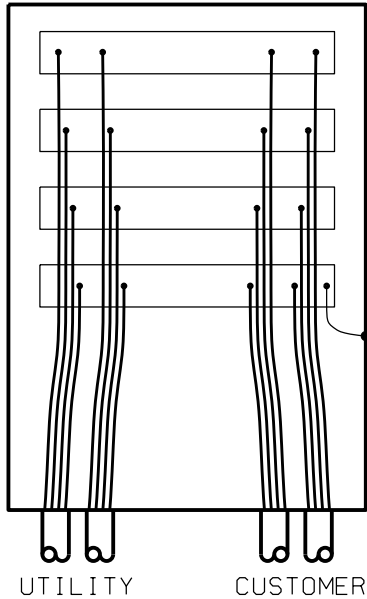
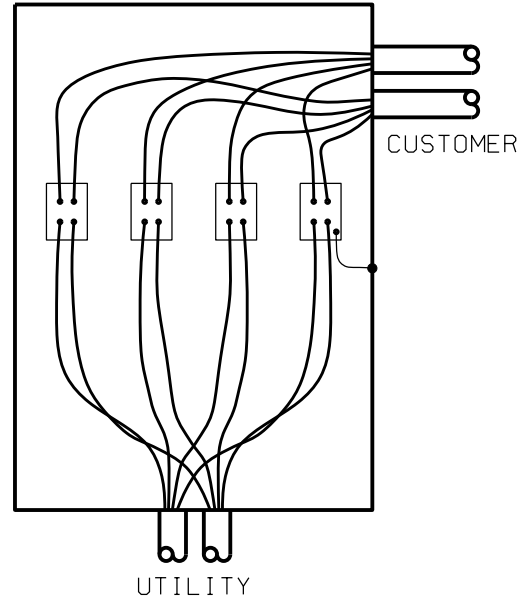


## Style A



## Style B



The above termination enclosures are options for certain wiring installations. Consult the Company before using these options.

## Termination Enclosures

**Type "A"** has horizontal bus bars that are stacked at different distances from the back of the cabinet in order to provide enough room to terminate (the top phase is the farthest from the back of the cabinet). The neutral is the bottom bus bar.

**Type "B"** has vertical bus bar and conductor training.

| Amperes  |        | Type | Mfg.         | Catalog #    | Dimensions (") |
|----------|--------|------|--------------|--------------|----------------|
| 400 amp  | 3-Wire | "B"  | Erickson     | TB-365N      | 42.25x20x7.25  |
|          |        | "B"  | GalvaClosure | TB-413-1     | 42x20x8.5      |
|          |        | "A"  | AMP          | WPSSB8-3A    | 60x33x13       |
|          |        | "B"  | AMP          | WPSTB4-3A    | 40x24x9        |
|          | 4-Wire | "B"  | Erickson     | TB-465N      | 42.25x20x7.25  |
|          |        | "B"  | GalvaClosure | TB-434-1     | 42x20x8.5      |
|          |        | "A"  | AMP          | WPSSB8-4A    | 60x33x13       |
|          |        | "B"  | AMP          | WPSTB4-4A    | 40x24x9        |
| 800 amp  | 3-Wire | "B"  | Erickson     | TB-367N      | 56x42x11       |
|          |        | "B"  | GalvaClosure | TB-813-2     | 48x26x11       |
|          |        | "A"  | AMP          | WPSSB8-3A *  | 60x33x13       |
|          |        | "B"  | AMP          | WPSTB8-3A *  | 60x33x13       |
|          | 4-Wire | "B"  | Erickson     | TB-467N      | 56x42x11       |
|          |        | "B"  | GalvaClosure | TB-834-2     | 48x26x11       |
|          |        | "A"  | AMP          | WPSSB8-4A *  | 60x33x13       |
|          |        | "B"  | AMP          | WPSTB8-4A *  | 60x33x13       |
| 1200 amp | 4-Wire | "B"  | Erickson     | TB-468N      | 60x36x15       |
|          |        | "B"  | GalvaClosure | TB-1234-4    | 54x36x15       |
|          |        | "A"  | AMP          | WPSSB12-4A * | 60x33x13       |
|          |        | "B"  | AMP          | WPSTB12-4A * | 60x33x13       |
| 1600 amp | 4-Wire | "B"  | Erickson     | TB-469N      | 60x40x15       |
|          |        | "B"  | GalvaClosure | TB-1634-5    | 60x38x17       |
|          |        | "A"  | AMP          | WPSSB16-4A * | 60x33x13       |
|          |        | "B"  | AMP          | WPSTB16-4A * | 60x33x13       |
| 2000 amp | 4-Wire | "B"  | Erickson     | TB-4610N     | 78.25x44x20.75 |
|          |        | "B"  | GalvaClosure | TB-2034-6    | 72x42x21       |
|          |        | "A"  | AMP          | WPSSB20-4A * | 60x33x13       |
|          |        | "B"  | AMP          | WPSTB20-4A * | 60x33x13       |
| 2500 amp | 4-Wire | "B"  | GalvaClosure | TB-2534-7    | 72x42x21       |
|          |        | "A"  | AMP          | WPSTC25- *   | 60x51x39       |
| 3000 amp | 4-Wire | "B"  | GalvaClosure | TB-3034-8    | 72x42x21       |

See page 3-4 for bonding requirements between the neutral and the termination enclosure.

Because of settling problems, it is necessary to provide adequate compaction under the normal UG service conductor depth (30") for disturbed soils. This needs to be done with sand or gravel. Frozen material and un-compacted clay are not acceptable.

Revised: 03/10