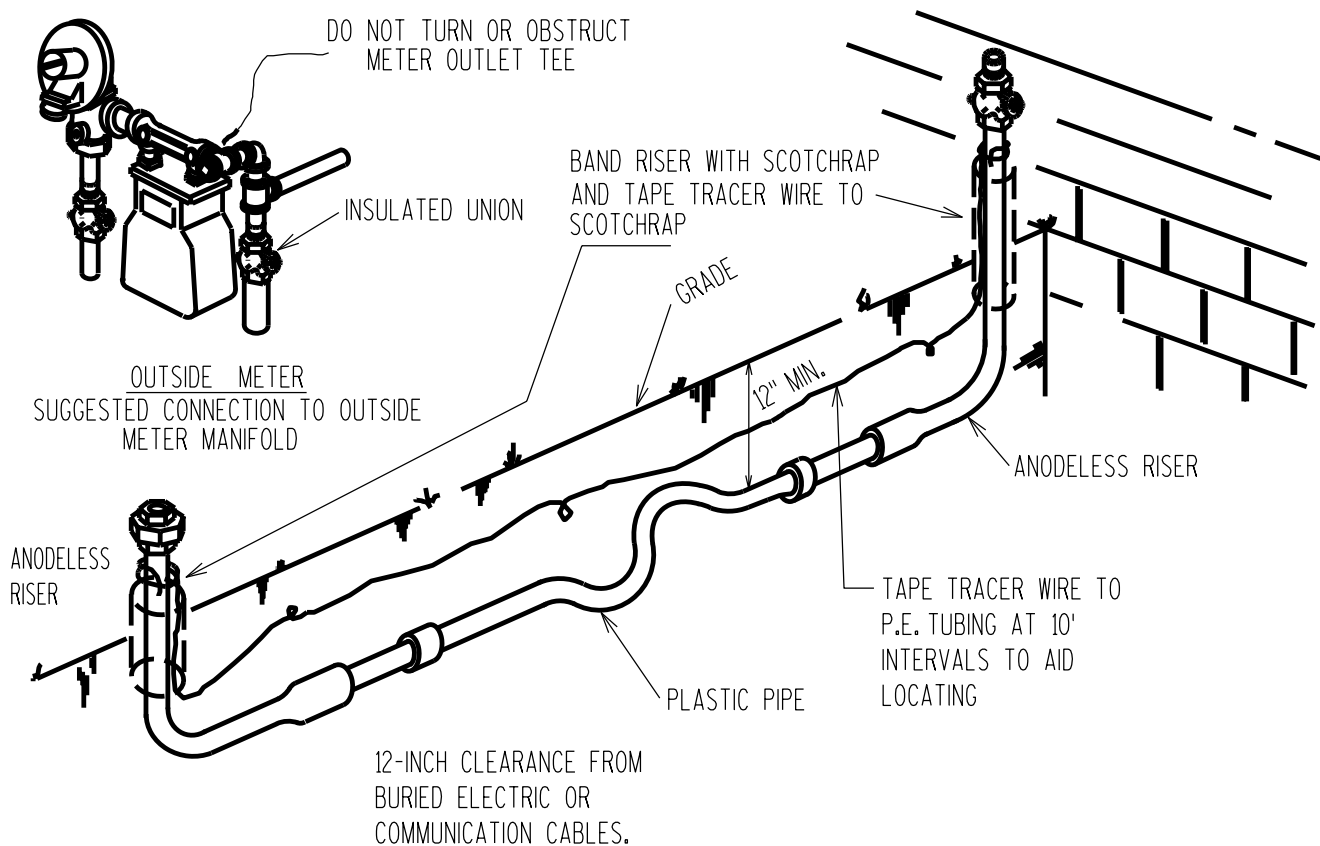


## APPROVED UNDERGROUND FUEL RUNS

APPROVED UNDERGROUND FUEL RUNS. (NOTE: THE COMPANY CAN MAKE THESE FOR A FEE - CUSTOMER IS TO PICK UP AND INSTALL.)

- 1) APPROVED PLASTIC (ASTM D2513)
  - A. REQUIRES APPROVED STEEL RISER WHERE IT EXITS GROUND. NATIONAL FUEL GAS CODE CHAPTER 7.
  - B. PVC PIPE IS NOT APPROVED FOR GAS FUEL RUNS.
- 2) STEEL PROTECTED AGAINST CORROSION
  - A. WRAPPED OR COATED
  - B. INSULATED ON BOTH ENDS
  - C. CATHODICALLY PROTECTED (ANODES)
  - D. GAS PIPING ENTERING BUILDING BELOW GRADE, FOLLOW NATIONAL FUEL GAS CODE, PARAGRAPH 7.1.5.
- 3) COPPER (GAS GRILLS)  
(NATIONAL FUEL GAS CODE Z233.1 CHAPTER 5, 6, AND 7)
- 4) PIPE ENTERING BUILDING ABOVE GROUND MUST BE WRAPPED THROUGH THE WALL
- 5) CORRUGATED STAINLESS STEEL TUBING (CSST) IS NOT APPROVED FOR DIRECT BURIAL.

## APPROVED PLASTIC INSTALLATION



Revised: 03/10