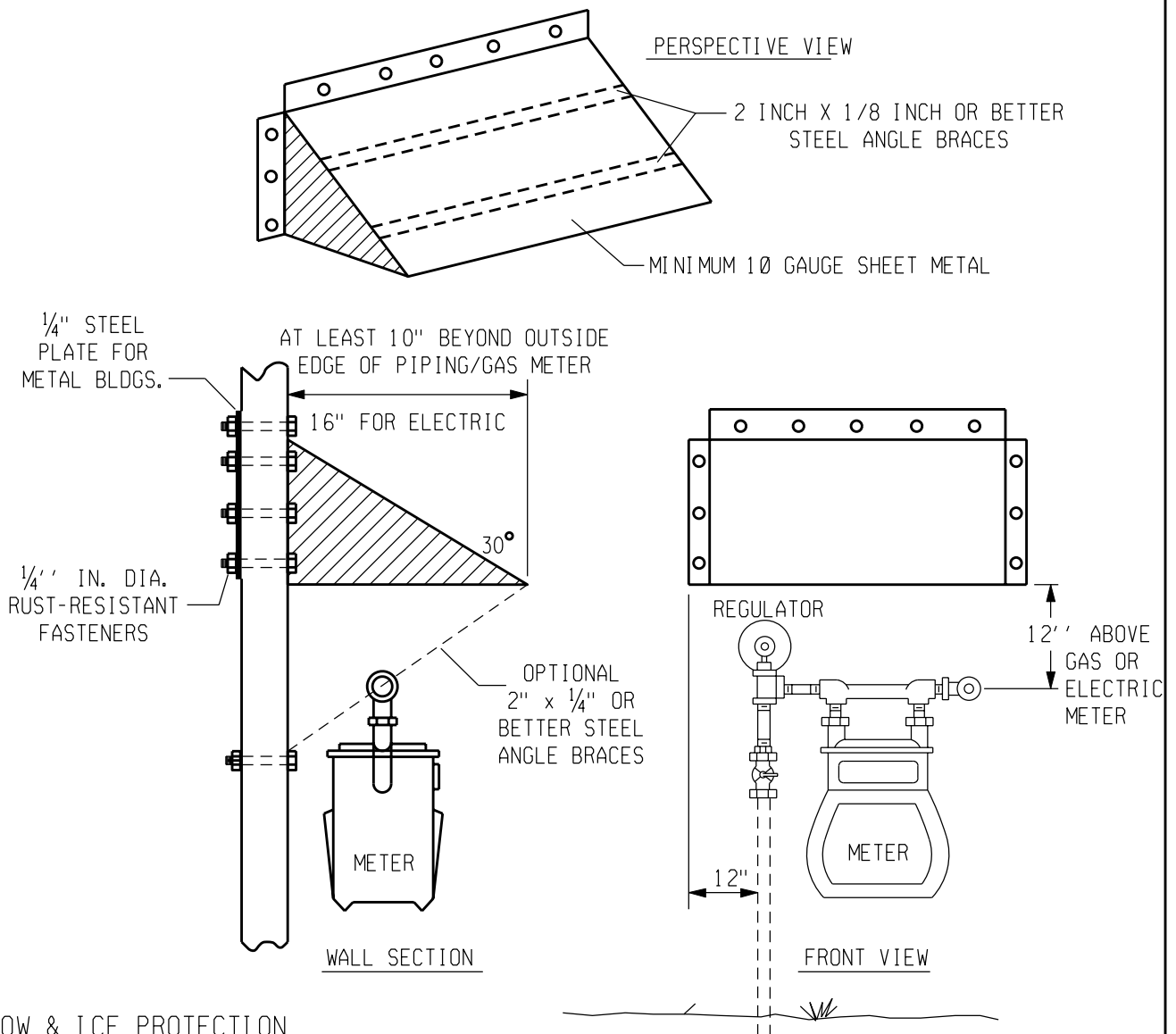


SUGGESTED ICE/SNOW PROTECTION OVER METER AND REGULATOR



SNOW & ICE PROTECTION

1. THE CUSTOMER IS RESPONSIBLE TO PROVIDE A SAFE LOCATION FOR THE GAS AND ELECTRIC METERS TO PROTECT THEM FROM DAMAGE.
2. A SNOW AND ICE SHIELD IS MANDATORY ON THE PITCHED SIDE OF METAL BUILDINGS (PROVIDED BY THE CUSTOMER). A SHIELD IS HIGHLY RECOMMENDED FOR OTHER AREAS. THE COMPANY WILL DETERMINE IF PROTECTION IS REQUIRED FOR GAS METERS, AS PER CODE REQUIREMENTS (DOT 192).
3. THE SHIELD MUST BE CONSTRUCTED TO HANDLE THE FORCE OF FALLING ICE/SNOW FROM A GIVEN HEIGHT.
4. A METAL SHIELD SHOULD BE CONSTRUCTED, PRIMED, AND PAINTED WITH A MINIMUM OF 10 GAUGE METAL.
5. THE PROTECTIVE SHIELD DOES NOT HAVE TO BE CONSTRUCTED USING METAL, BUT MUST BE CONSTRUCTED USING GOOD ENGINEERING AND CONSTRUCTION PRACTICES TO COMPLETE #3 ABOVE.
6. THE ABOVE IS A RECOMMENDED DESIGN AND CONSTRUCTION DRAWING.
7. COMPANY STOCK ITEM IS 136-0545 (ELECTRIC ONLY) (31.25" X 16" X 12" 16 GAUGE STAINLESS STEEL.)

Revised: 03/10