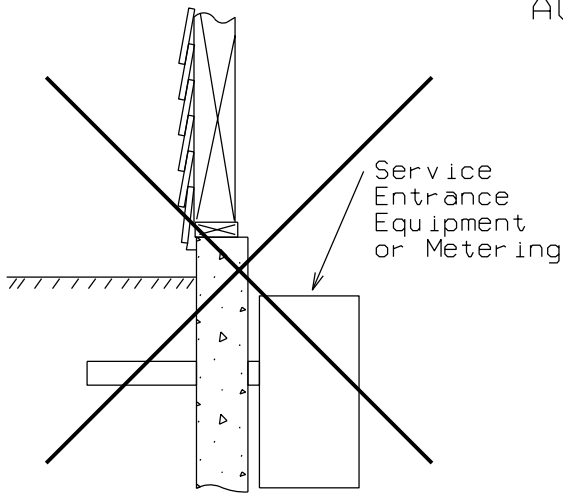
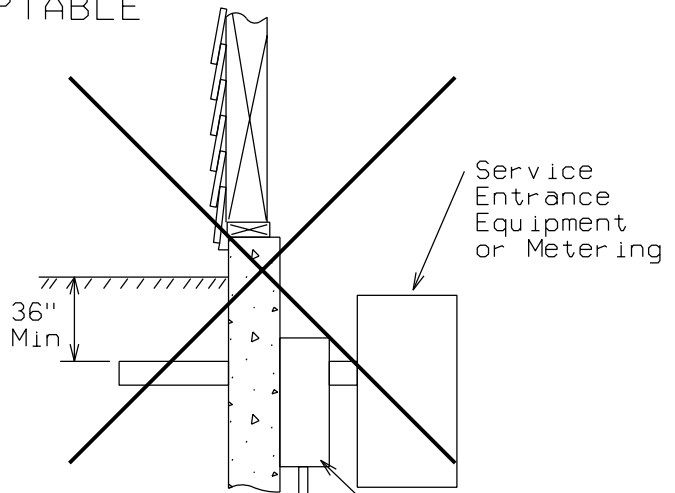


ACCEPTABLE



NOT ACCEPTABLE



NOT ACCEPTABLE

The above diagrams show how to and how not to deal with water seepage through basement walls. The Company will not run its conductors through a basement wall because of the possibility of causing water seepage problems.

Revised: 03/10