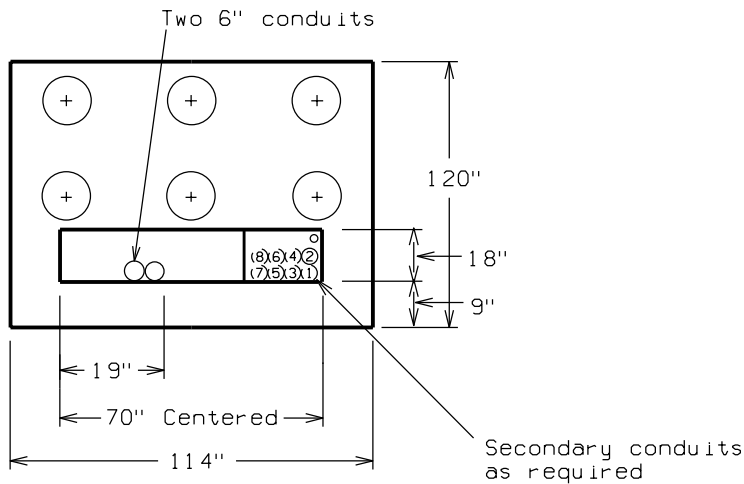
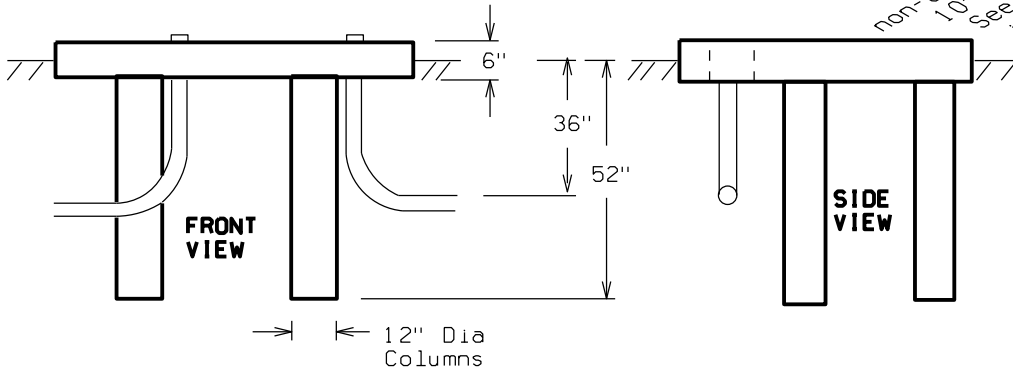
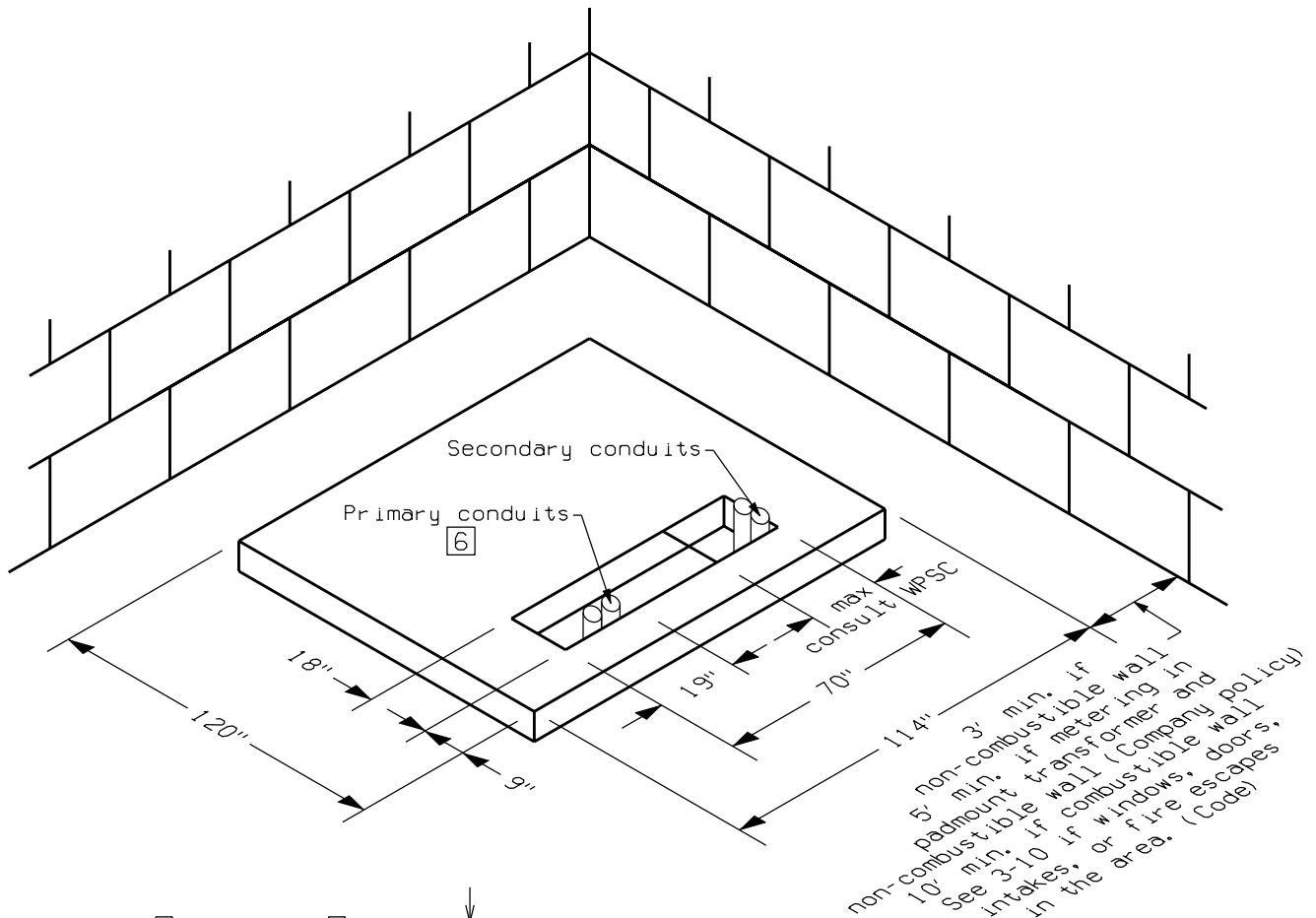


NOTES:

1. Concrete shall have a minimum strength of 3000 lbs. per sq. inch and contain not less than 6 bags of cement per cubic yard. Approximately one bag of fly ash may be substituted for one bag of cement per cubic yard of concrete.
2. The top of the pad shall be reinforced with #3 rods on a one-foot spacing.
3. These transformers range from 20,000 to 28,000 lbs.
4. Refer to page 3-10 for specific details on clearances from buildings.
5. Service conduits shall always start from the front right corner of the window. The conduits must be positioned tight to the right side of the window and tight to each other and in numbered order. This is so that the conduits don't cross over into the primary side of the transformer.
6. Position primary conduits in the front of the window and 19 inches from the left side (see top view, above). Use two each, six inch conduits.
7. 1 1/4" PVC meter conduit to building wall, if required. End this 3 inches above pad.
8. Service and Primary conduits to be just above (max. 3") pad.
9. Concrete is considered fully cured in 21 days. However, the majority of the strength is obtained after 7 days. If transformers will be set in fewer than 7 days, cement should be tested to be sure it has at least 2500#/sq. in. of strength.

Revised: 03/10



Revised: 03/10