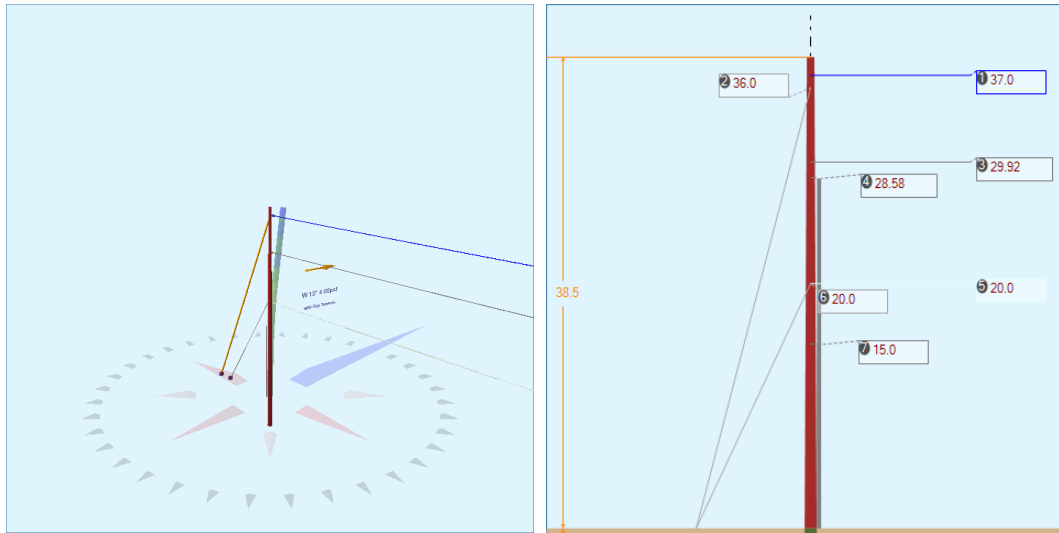


Pole Num:	1 - 2922 8W17	Pole Length / Class:	45 / 3	Code:	NESC	Structure Type:	Deadend
SAP ID#	Unset	Species:	SOUTHERN PINE	NESC Rule:	Rule 250B	Status	Guy Wires at Capacity
Install Date	Unset	Setting Depth (ft):	6.5	Construction Grade:	C	Pole Strength Factor:	0.85
Joint Pole #	Unset	G/L Circumference (in):	37.31	Loading District:	Heavy	Transverse Wind LF:	1.75
Pole Barcode	Unset	G/L Fiber Stress (psi):	8,000	Ice Thickness (in):	0.50	Wire Tension LF:	1.30
Aux Data 5	Unset	Allowable Stress (psi):	6,800	Wind Speed (mph):	39.53	Vertical LF:	1.90
Aux Data 6	Unset	Fiber Stress Ht. Reduc:	No	Wind Pressure (psf):	4.00		
Latitude:	0	Longitude:	0	Elevation:	0M		



Pole Capacity Utilization (%)	Height (ft)	Wind Angle (deg)
Maximum	39.3	20.0
Groundline	18.6	0.0
Vertical	17.7	28.2

Pole Moments (ft-lb)	Load Angle (deg)	Wind Angle (deg)
Max Cap Util	16,257	74.7
Groundline	17,002	22.7
GL Allowable	93,217	

Guy System Component Summary				Load From Worst Wind Angle on Pole		Individual Maximum Load With Overload Applied	
Description	Lead Length (ft)	Lead Angle (deg)	Height (ft)	Nominal Capacity (%)	Wind Angle (deg)	Max* Load Capacity (%)	Wind Angle (deg)
Single - 8" - Soil Class 5 HS 3/8 (Down)	15.0	270.0	36.0	64.6	12.7	71.8	90.0
Single - 8" - Soil Class 5 EHS 3/8 (Down)	12.0	270.0	20.0	88.4	12.7	98.3	90.0
				58.9	12.7	65.8	90.0
				68.0	12.7	76.0	90.0
System Capacity Summary:				Adequate		At Capacity	

Groundline Load Summary - Reporting Angle Mode: Load - Reporting Angle: 22.7°										
	Shear Load* (lbs)	Applied Load (%)	Bending Moment (ft-lb)	Applied Moment (%)	Pole Capacity (%)	Bending Stress (+/- psi)	Vertical Load (lbs)	Vertical Stress (psi)	Total Stress (psi)	Pole Capacity (%)
Powers	2,244	407.2	59,553	350.3	63.9	5,481	382	3	5,484	80.6
Comms	1,146	208.1	18,228	107.2	19.6	1,678	306	3	1,680	24.7
GuyBraces	-3,054	-554.3	-64,110	-377.1	-68.8	-5,900	24,199	218	-5,681	-83.6
Pole	212	38.5	3,254	19.1	3.5	300	2,247	20	320	4.7
Risers	0	0.0	2	0.0	0.0	0	83	1	1	0.0
Insulators	3	0.5	74	0.4	0.1	7	17	0	7	0.1
Pole Load	551	100.0	17,002	100.0	18.2	1,565	27,234	246	1,810	26.6
Pole Reserve Capacity			76,215		81.8	5,235			4,990	73.4

Load Summary by Owner - Reporting Angle Mode: Load - Reporting Angle: 22.7°										
	Shear Load* (lbs)	Applied Load (%)	Bending Moment (ft-lb)	Applied Moment (%)	Pole Capacity (%)	Bending Stress (+/- psi)	Vertical Load (lbs)	Vertical Stress (psi)	Total Stress (psi)	Pole Capacity (%)
PWR	1,008	183.0	24,314	143.0	26.1	2,238	12,405	112	2,350	34.6
Charter	-670	-121.5	-10,567	-62.2	-11.3	-972	12,581	114	-859	-12.6
Pole	212	38.5	3,254	19.1	3.5	300	2,247	20	320	4.7
Totals:	551	100.0	17,002	100.0	18.2	1,565	27,234	246	1,810	26.6

Detailed Load Components:

Power	Owner	Height (ft)	Horiz. Offset (in)	Cable Diameter (in)	Sag at Max Temp (ft)	Cable Weight (lbs/ft)	Lead/Span Length (ft)	Span Angle (deg)	Wire Length (ft)	Tension (lbs)	Tension Moment* (ft-lb)	Offset Moment* (ft-lb)	Wind Moment* (ft-lb)	Moment at GL* (ft-lb)	
Primary	ACSR 1/0 AWG 6/1 RAVEN	PWR	37.00	16.50	0.3980	1.50	0.145	286.0	90.0	286.0	2,025	6,251	4	645	6,900
Neutral	ACSR 1/0 AWG 6/1 RAVEN	PWR	29.92	6.42	0.3980	1.50	0.145	286.0	90.0	286.0	2,025	5,055	7	522	5,583
Totals:											11,306	10	1,167	12,483	

Comm	Owner	Height (ft)	Horiz. Offset (in)	Cable Diameter (in)	Sag at Max Temp (ft)	Cable Weight (lbs/ft)	Lead/Span Length (ft)	Span Angle (deg)	Wire Length (ft)	Tension (lbs)	Tension Moment* (ft-lb)	Offset Moment* (ft-lb)	Wind Moment* (ft-lb)	Moment at GL* (ft-lb)	
Overlashed Bundle	6.6M Strand	Charter	20.00	7.26	0.2500	1.53	0.104	286.0	90.0	286.0	2,000	3,337	6	361	3,704
Fiber	144ct Fiber	Charter	19.96	7.26	0.6700		0.155	286.0	90.0	286.0			6	111	117
Totals:											3,337	12	472	3,821	