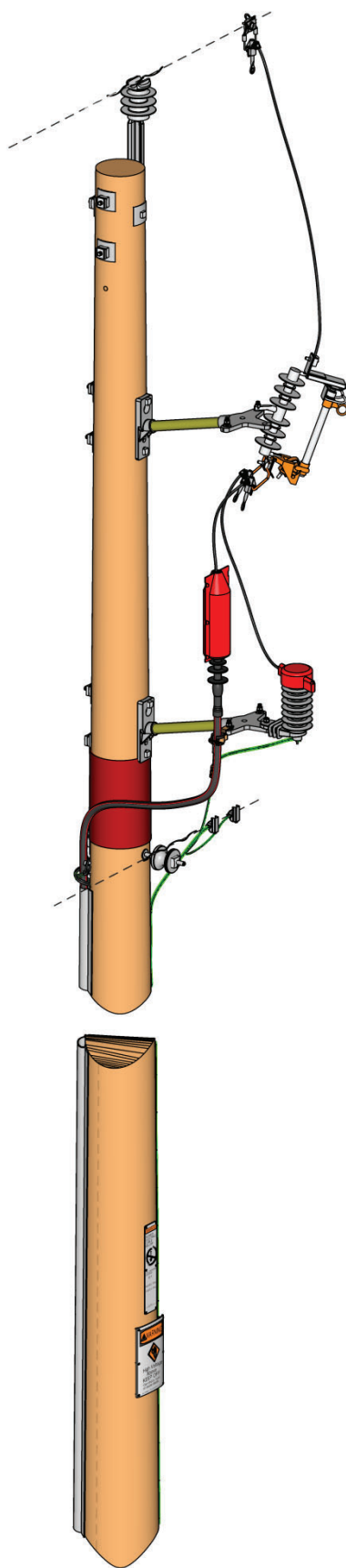
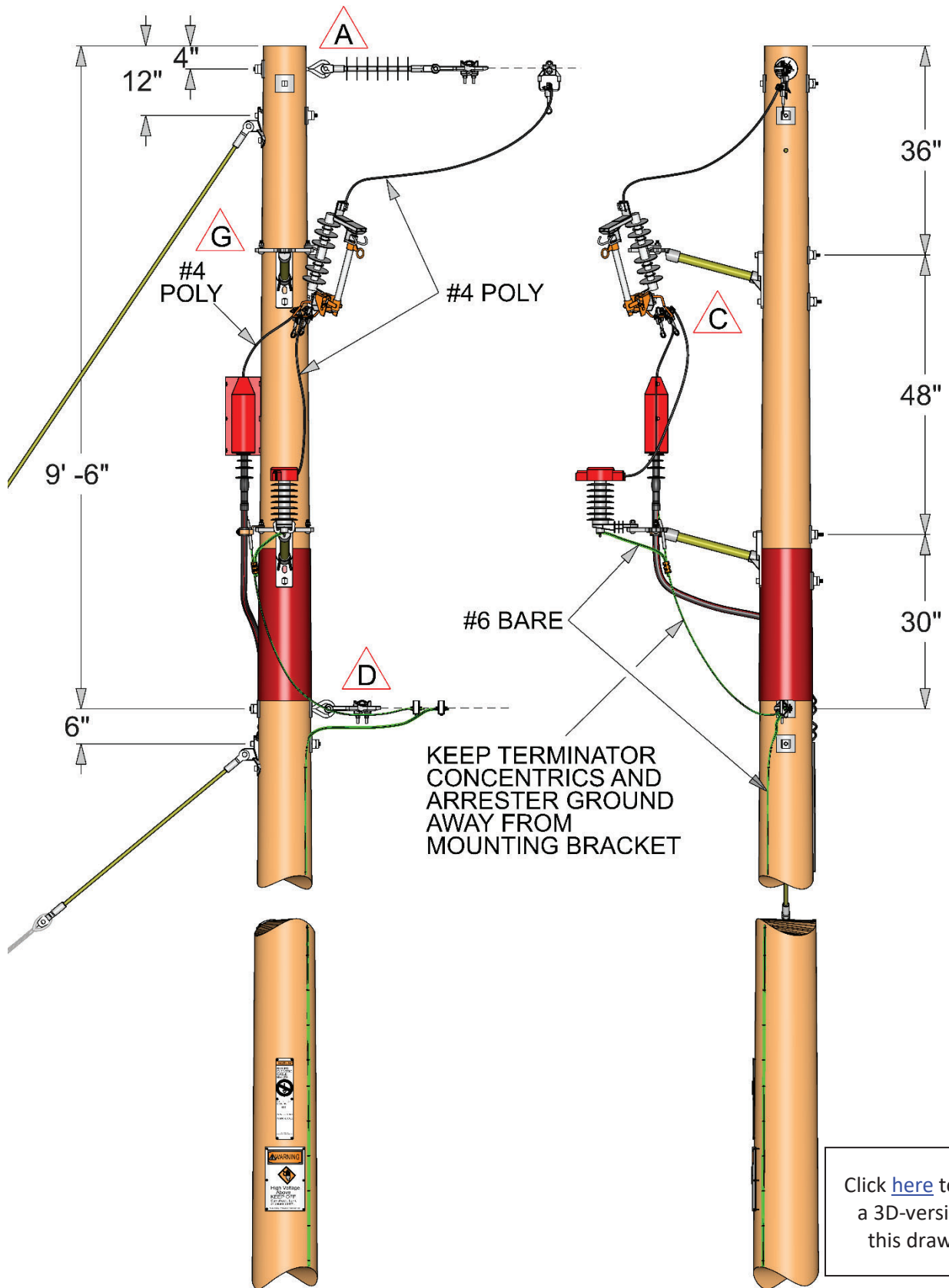


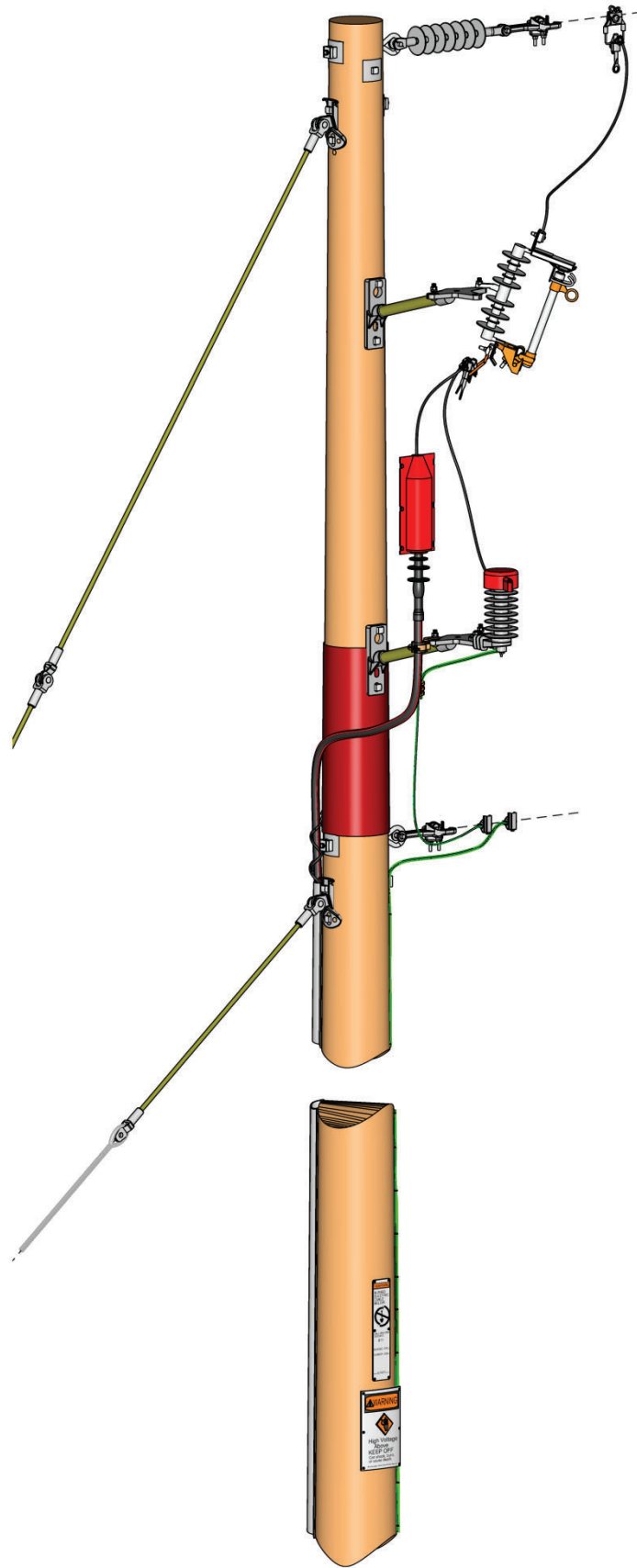
Click [here](#) to open a 3D-version of this drawing.

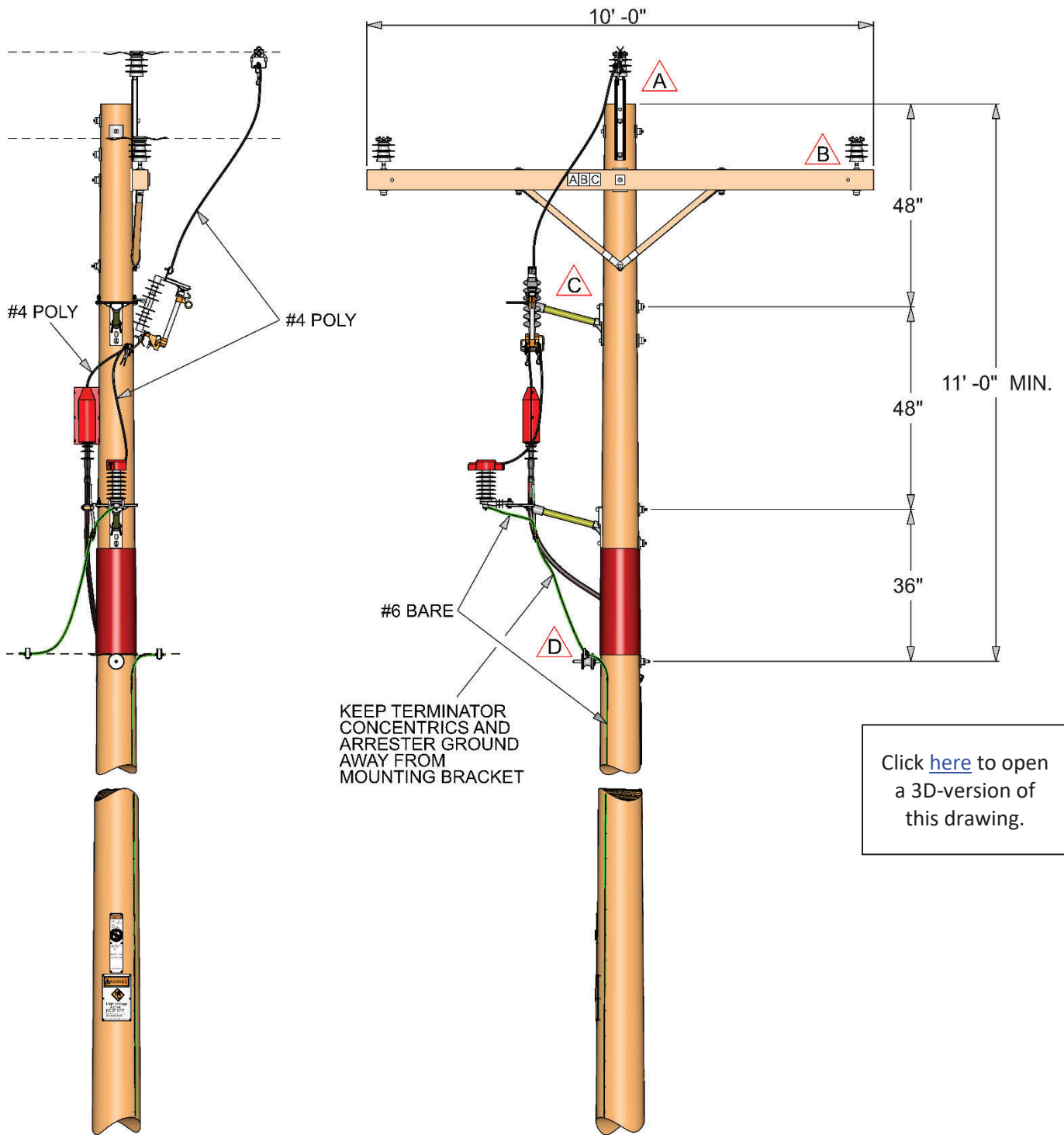
WPS: A01 & URP1-1
WE ENERGIES: 110-06 & 110-40





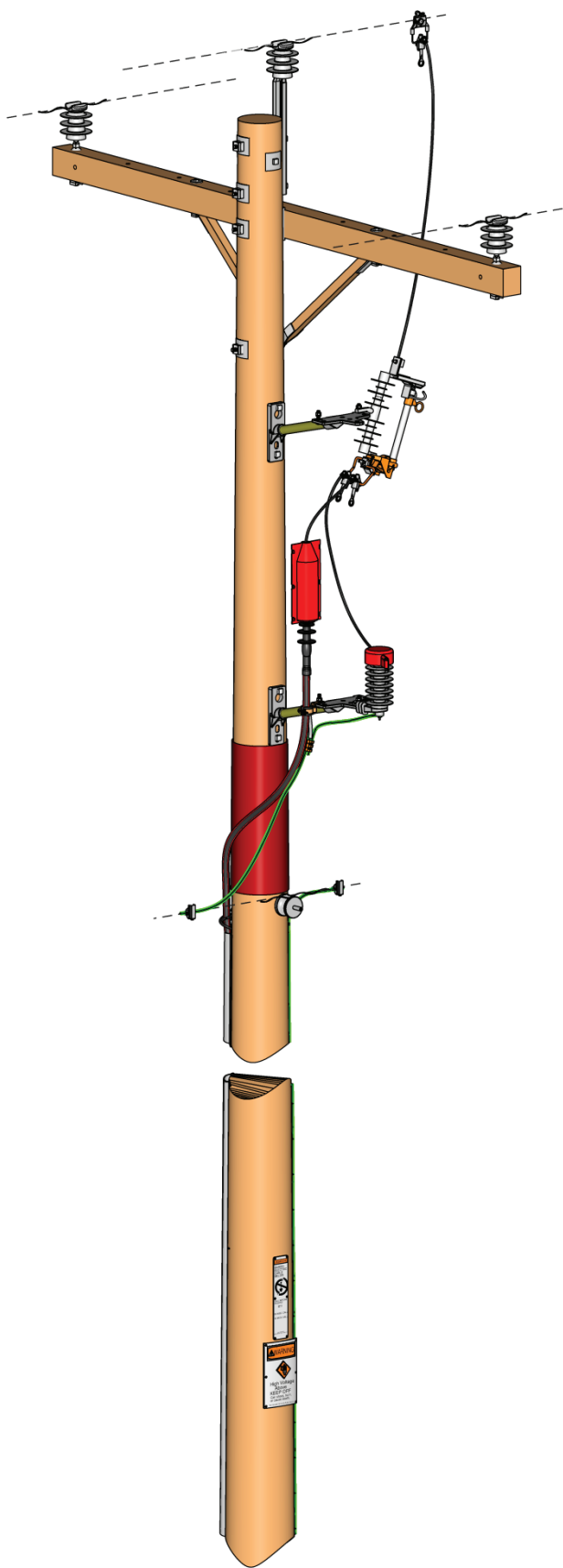
WPS: A05 & URP1-1
WE ENERGIES: 110-07 & 110-40

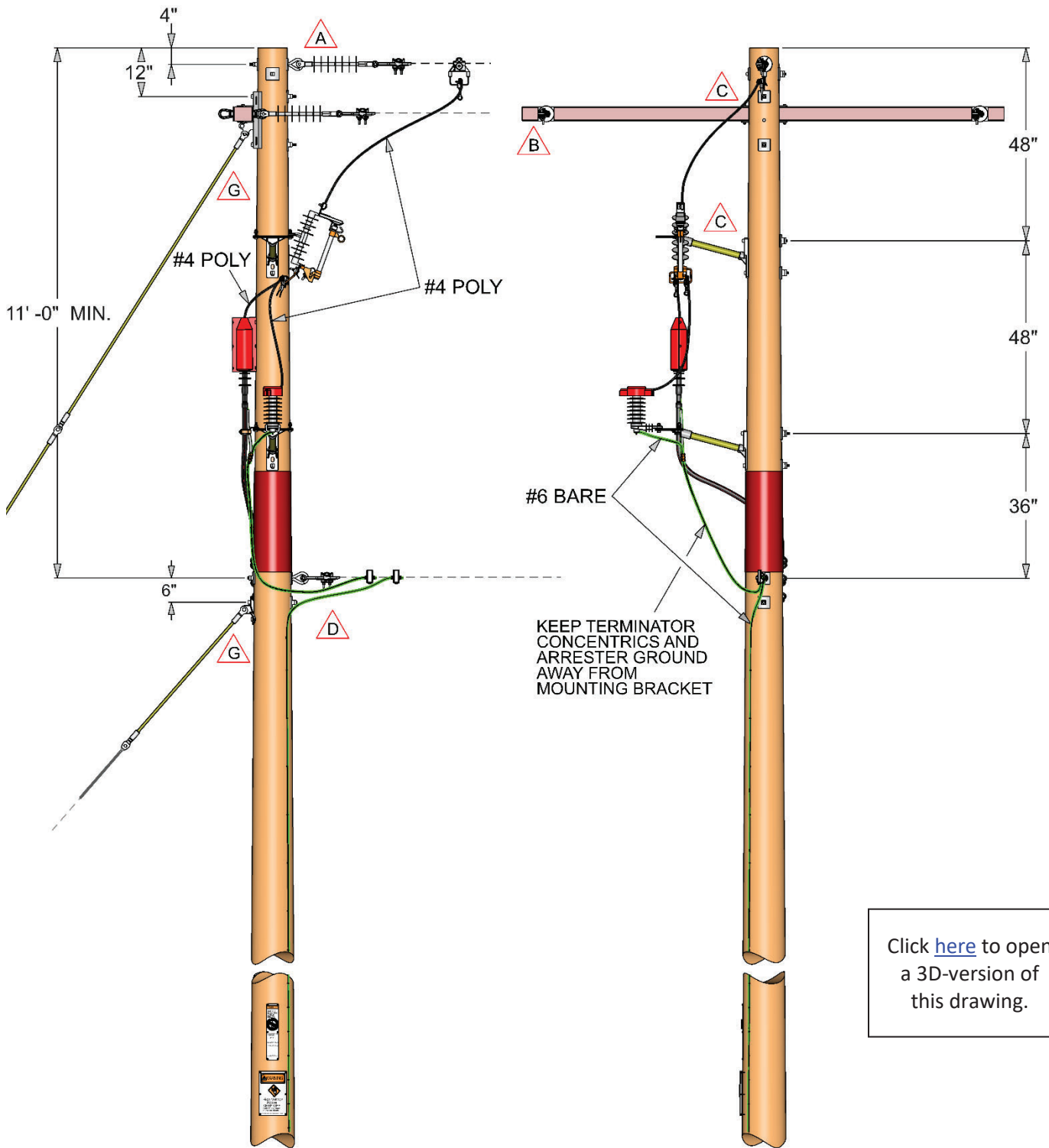




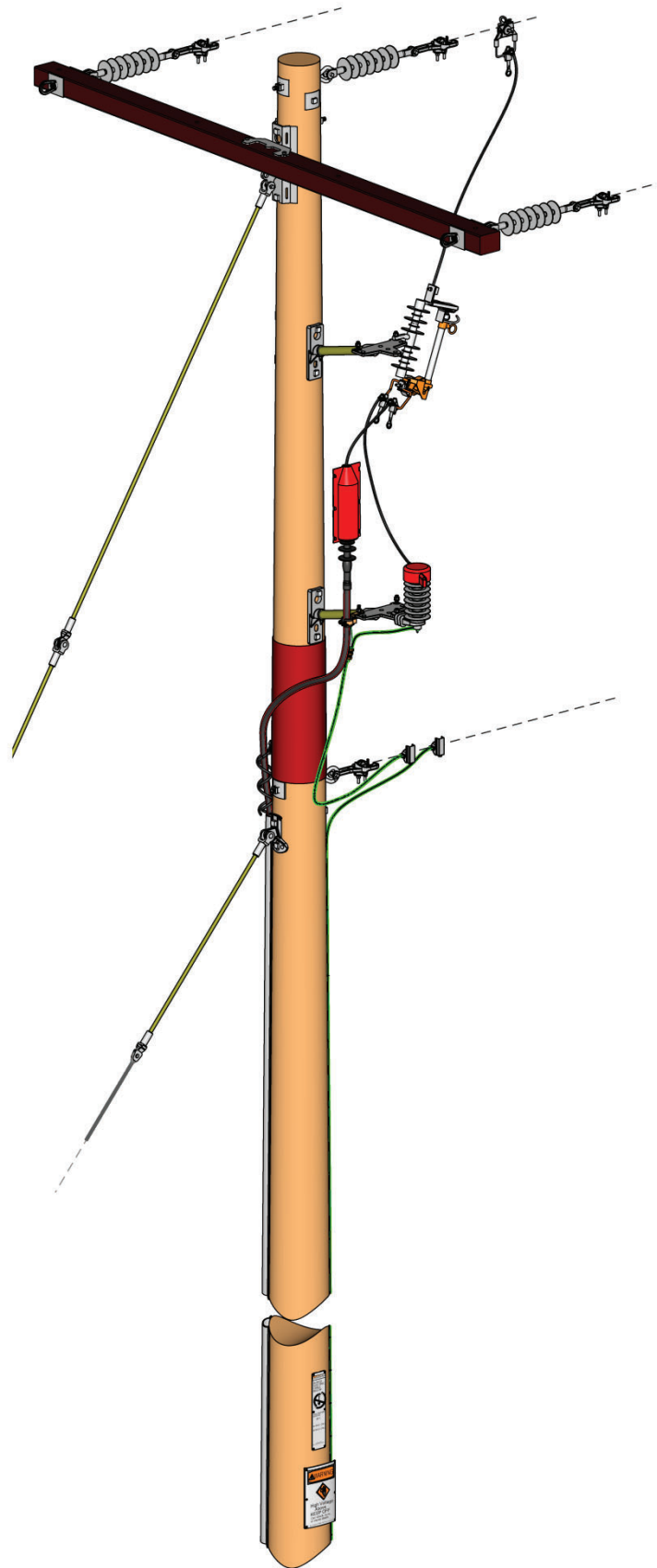
Click [here](#) to open a 3D-version of this drawing.

WPS: C01A & URP1-1
WE ENERGIES: 110-13 & 110-40





WPS: C07AFG & URP1-1
WE ENERGIES: 110-14 & 110-40



WISCONSIN PUBLIC SERVICE					URP1-1	
MATERIAL		NO. REQ.	MATERIAL		NO. REQ.	
ARRESTER-18KV-RISER		1	JUMPER-URP1-1		1	
ARRESTER, DIST, 18KV, RISER	124-1681	1	CLAMP, CABLE, 1.1"-1.5"	143-2611	1	
WIRE, #6 STR, CU	T133-0925	2 FT	CONNECTOR, BOLTED	VARIABLE	1	
BK-CU/A-RISER		2	CONNECTOR, CU, H-TAP, #2 TO #6	T135-2055	1	
BOLT, MACHINE, 5/8"	MCH421X	2	CONNECTOR, CU, H-TAP, #2 TO #4	T135-2080	1	
BRACKET, 18", FG, 3 POS	147-4006	1	SUPPORT, CABLE	147-8856	1	
NUT, LOCK, 5/8"	160-3910	2	WIRE, #4 STR, CU, POLY	T133-0977	15 FT	
WASHER, CURVED, 3"	T135-9500	2	SCREW, LAG, 1/4" x 4"	342-8712	1	
STIRRUP-XX		1	POLE WRAP		1	
CONNECTOR, HOT LINE	143-1102	1	GUARD, ANIMAL, POLE WRAP	147-2380	1	
STIRRUP, HOT LINE	HOT145X	1	NAIL, ROOFING	342-8656	0.108 LB	
CO-100A/200A-XX		1	RISER-CUTOUT-GRD-STRP		1	
CUTOUT, FUSE, 100A	118-1483	1	STIRRUP, GROUNDING, LOOP	134-5049	1	
FUSE, 100A CUTOUT	VARIES	1	CONNECTOR, HOTLINE	143-1102	2	
GUARD-U-XX		1	TRM-CBL-1-#1		1	
GUARD, U-GUARD, 10'	150-XXXX	4	GUARD, ANIMAL, TERM COVER	147-2386	1	
NAIL, ROOFING	342-8656	0.036 LB	TERMINATOR, #1 SOL, 25KV	T134-7740	1	
SCREW, LAG	342-8711	56				
SIGN, ELEC SAFETY, UG	138-0524	1				

WE ENERGIES MATERIAL			
DESCRIPTION	CONSTRUCTION UNIT	QTY.	MATERIAL NO.
110-40 COMMON MATERIAL			
RISER 1PH 300 AMP 8KV, 15KV, & 25KV			
BRACKET, 18", FG, 3 POS	BRMG18	1	147-4006
BOLT, 5/8", 10"	*	2	158-4243
NUT, LOCK, 5/8"	*	2	160-3910
WASHER, CURVED, 3"	*	2	T135-9500
BOLT, 5/8", 10"	BTG510	2	158-4243
NUT, LOCK, 5/8"	*	2	160-3910
WASHER, CURVED, 3"	*	2	T135-9500
WIRE, #4 STR, CU, XLPE	CC46	8 FT	103-3239
WIRE, #6 STR, CU	CC6B	2 FT	T133-0925
CONNECTOR, HOTLINE	CLH1/01/0B	2	143-1102
CONNECTOR, CRIMPET, #2 TO #6 & #4	CNT24CB	2	139-2905
CONNECTOR, BOLTED VISE	CNWG4/0	1	T134-1772
FRAME, AL, 5 DIGIT, VERTICAL	FRA5V	1	138-1873
GUARD, RSR, U, 2" x 10'	GURS102P	3	150-9080
SCREW, LAG, 1/4" x 2", HCR	*	42	342-8711
GUARD, RSR, U, 2" x 10'	GURS102PB	1	150-9080
SCREW, LAG, 1/4" x 2", HCR	*	14	342-8711
GUARD, WILDLIFE, POLY TERM COVER	GUWPTC	1	147-2386
TERM, POLYMER, 1 POLE, LABOR	PT1	1	D00-6920
RISER, 1-C, PRI OR SUB, LABOR	RS1P	1	D00-1906
SIGN, ELEC SAFETY, UG	SGWBC	1	138-0524
NAIL, ROOFING, 1-1/2"	*	0.036 LB	342-8656
CONTINUED ON NEXT PAGE			

WE ENERGIES MATERIAL			
DESCRIPTION	CONSTRUCTION UNIT	QTY.	MATERIAL NO.
110-40 COMMON MATERIAL cont.			
STIRRUP, GROUNDING, LOOP	SPGD	1	134-5049
STIRRUP, BOLTED, #6 TO 2/0 ACSR	SPW2	1	T134-7379
SUPPORT, CABLE RISER FOR 3/0, 1/0, #1	SUCB15	1	147-8856
SCREW, LAG, 1/4" x 4", HCR	*	1	342-8712
TERMINATOR, #1 SOL, 25KV	TNC251	3	134-5075
GUARD, ANIMAL, POLE WRAP	WRWP2536	1	147-2380
NAIL, ROOFING, 1-1/2"	*	0.108 LB	342-8656

15KV #2 SOL AL			110-40.1
ARRESTER, SURGE, DISTRIBUTION, 10KV	ARD10	1	124-1451
CABLE, CN/JKT, 15KV, #2 SOL AL	CBCJ152	40 FT	101-9640
CLAMP, CABLE, 0.8"-1.25"	CLCB23/015	1	143-2600
CONNECTOR, PIN TERM, 6", #2 SOL	CNPT62	1	139-4535
ASSEMBLY, CUTOUT, 27KV	PREASMCUTOUT	1	144-0008

8KV #1 SOL AL			110-40.2
ARRESTER, SURGE, DISTRIBUTION, 6KV	ARD6	1	124-1290
CABLE, CN/JKT, 25KV, #1 SOL AL	CBCJ251	40 FT	101-9690
CLAMP, CABLE, 1.1"-1.5"	CLCB23/028	1	143-2611
CONNECTOR, PIN TERM, 6", #1 SOL	CNPT612	1	139-4538
CUTOUT, 100A, 15KV	CUF81N	1	118-1351
BRACKET, 18", FG, 3 POS	BRMG18	1	147-4006
BOLT, 5/8", 10"	*	2	158-4243
NUT, LOCK, 5/8"	*	2	160-3910
WASHER, CURVED, 3"	*	2	T135-9500
CONNECTOR, HOTLINE	CLH1/01/0B	1	143-1102

15KV #1 SOL AL			110-40.3
ARRESTER, SURGE, DISTRIBUTION, 10KV	ARD10	1	124-1451
CABLE, CN/JKT, 25KV, #1 SOL AL	CBCJ251	40 FT	101-9690
CLAMP, CABLE, 1.1"-1.5"	CLCB23/028	1	143-2611
CONNECTOR, PIN TERM, 6", #1 SOL	CNPT612	1	139-4538
ASSEMBLY, CUTOUT, 27KV	PREASMCUTOUT	1	144-0008

25KV #1 SOL AL			110-40.4
ARRESTER, SURGE, DISTRIBUTION, 18KV	ARD18R	1	124-1681
CABLE, CN/JKT, 25KV, #1 SOL AL	CBCJ251	40 FT	101-9690
CLAMP, CABLE, 1.1"-1.5"	CLCB23/028	1	143-2611
CONNECTOR, PIN TERM, 6", #1 SOL	CNPT612	1	139-4538
ASSEMBLY, CUTOUT, 27KV	PREASMCUTOUT	1	144-0008